

VIDAR Systems Corporation



*Advantage***PRO** Series

User Guide

Windows 7

Advantage Series (Serial Numbers 340000 to 369999)

DiagnosticPRO® Advantage
DosimetryPRO® Advantage
CAD PRO® Advantage

VIDAR
systems corporation
A 3D Systems Company

NOTE

The digitizers do not include application specific software (Picture Archiving and Communications [PAC] system, Teleradiology, Oncology Systems, or Computer Aided Detection [CAD] software). The manufacturer of the application software will determine specific indications for use. These third-party software packages or complete systems are approved separately from a regulatory perspective.

The digitizers are marketed as a component to application software development companies, who will incorporate the digitizer into their respective PACS or Teleradiology, CAD system(s). The software developer is ultimately responsible for detailing the Contraindications for the PACS System (or Teleradiology software package) or Oncology Systems as a whole, including the digitizer.



365 Herndon Parkway
Herndon, VA 20170 U.S.A.

Phone: 1-703-471-7070
Fax: 1-703-471-7665
Internet: www.vidar.com

Sales: 1-800-471-7070 or
1-800-471-7226
Email: order@3dsystems.com

Technical Support:
1-800-471-7070 or 1-703-471-7070
E-mail: medtech@3dsystems.com



Emergo Europe
Prinsessegracht 20
2514 AP, The Hague
The Netherlands

E-mail: EmergoEurope@ul.com

Caution: No operator-serviceable parts inside. Refer servicing to qualified personnel.
Achtung: Gehäuse nicht öffnen. Wartung und Reparatur nur durch Elektrofachkräfte.
Attention: Aucune pièce ne peut être remplacée par l'utilisateur. Toute opération de maintenance doit être effectuée par une personne qualifiée.
Atencion: Acceso interno solo autorizado a personal técnico cualificado.
Attenzione: Non aprire. Rivolgersi a personale qualificato.

Radio Frequency Emissions

This equipment has been tested and found to comply with the limits for a Class A digital device, pursuant to Part 15 of the FCC Rules. These limits are designed to provide reasonable protection against harmful interference when the equipment is operated in a commercial environment. This equipment generates, uses, and can radiate radio frequency energy and, if not installed and used in accordance with the instruction manual, may cause harmful interference to radio communications. Operation of this equipment in a residential area can cause harmful interference, in which case the user will be required to correct the interference at his or her own expense.

Product compliance testing was conducted using VIDAR shielded cables. Modifications to the digitizer or the VIDAR shielded cables or the use of cables other than those available from VIDAR could void the user's authority to operate the equipment.

Storage/Shipping conditions

- Temperature: -18° to $+60^{\circ}\text{C}$ (0° to $+140^{\circ}\text{F}$)
- Relative humidity: 20% to 85%, non-condensing
- Atmospheric pressure: 500 to 1060hPa (+18,000 to -1,200ft)

Operating conditions

- Temperature: 10°C to 35°C (50°F to 95°F)
- Relative humidity: 20% to 85%, non-condensing
- Atmospheric pressure: 696 to 1013hPa (10,000 to 0 ft)

Electrical supply

- Voltage: 100 to 240 VAC
- Current: 0.75 to 1.5 A
- Frequency: 50 to 60 Hz

Safety and compliance information



MEDICAL –GENERAL MEDICAL EQUIPMENT AS TO ELECTRIC SHOCK, FIRE AND MECHANICAL HAZARDS ONLY IN ACCORDANCE WITH: CSA CAN/CSA-C22.2 NO. 60601-1:14, IEC 60601-1:2005+A1:2012) Edition 3.1. ANSI/AAMI ES60601-1: A1:2012, C1:2009/(R)2012 and A2:2010/(R)2012.

Accessory equipment connected to the analog and digital interfaces must be certified according to the respective IEC standards (i.e. IEC 60950 for data processing equipment and IEC 60601-1 for medical equipment). Furthermore all configurations shall comply with the system standard IEC 60601-1-1 or IEC 60601-1 Edition 3.1.



Everybody who connects additional equipment to the signal input part or signal output part configures a medical system, and is therefore responsible that the system complies with the requirements of IEC 60606-1-1 or IEC 60601-1 Edition 3.1. If in doubt, consult the technical services department or your local representative.

This product is rated for continuous use.

This product is in the Ordinary Equipment Class. It provides no protection against the ingress of water.

This product is not suitable for use in the presence of flammable anesthetic mixtures with air or with oxygen or with nitrous oxide.

Class I Medical Device; No Applied Parts. This product provides Class I medical device protection against electrical shock.

WARNING: To avoid the risk of electric shock, this equipment must only be connected to a supply mains with protective earth.

Grounding reliability can only be achieved when the equipment is connected to an equivalent receptacle marked “HOSPITAL ONLY” or “HOSPITAL GRADE”.

WARNING: Do not modify this equipment without authorization of the manufacturer.

Do not position the product so that it is difficult to access the disconnect switch (power switch) on the back of the unit.

Mains power may be removed from the product by turning off the power switch on the back of the unit.

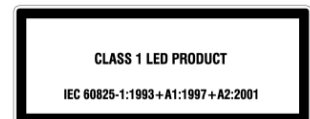
Power cords used with this device in North America must be rated by Underwriters Laboratories for hospital use.

Power cords used with this device in Europe must meet the requirements of IEC 227 Designation 53 or IEC 245 Designation 53.

Correct and safe operation of the digitizer requires familiarity with information that is not marked on the product. The following symbols indicate that the operator should consult the manual for additional information:

This Class 1 LED device is safe under reasonably foreseeable conditions of operation.

The LED illumination system consists of 16 Class 1 LEDs, a mirror system to spread the light, and a diffuser to distribute the light approximately uniformly across an area of 2.4 sq in (15.5 sq cm). Light from the LED illuminator may be indirectly observed in the digitizer’s film entry and exit areas.



Contents

Intended Use	6
Notice to Users	7
Operating the DiagnosticPRO® Advantage and DosimetryPRO® Advantage (Red)	8
About Digitizers and Film Sizes	8
DiagnosticPRO® Advantage specifications	8
DosimetryPRO® Advantage specifications	9
About Films	10
Basic Operating Instructions	11
Digitizing a Single Film	12
Digitizing Multiple Films	14
Operating the CAD PRO® Advantage	16
Standard CADPRO Feeder Film Sizes and Scanning Specifications	16
CADPRO Smartfeeder XL Film Sizes and Scanning Specifications	17
About Films	18
Operating Instructions	19
Preventive Maintenance	22
Cleaning the Auto-Feed Roller	22
Cleaning the Auto-Feed Roller and Suction Cups	23
Cleaning the Diffuser	25
Replacing the Lamp Cartridge	29
Troubleshooting	30
Reading the LEDs	30
Top LED: feeder status	31
Center LED: Digitizer Status	31
Bottom LED: Power Status	32
In Case of Difficulty	32
Weights and Dimensions	34
Shipping weight and dimensions	34
Digitizer weight and dimensions: DiagnosticPRO® Advantage and DosimetryPRO® Advantage	34
Digitizer weight and dimensions: CAD PRO® Advantage	34
Packing the Film Digitizer for Shipment	35
1. Turn Off the Digitizer	35
2. Disconnect the Power Cord and USB Cable	35
3. Remove the Exit Tray from the Digitizer Base	36
4. Remove the Feeder from the Digitizer Base	37
5. Remove the Digitizer Base from the Stand	38
6. Prepare the Feeder	39
7. Wrap Certain Items	40
8. Pack the Accessory Box	41
9. Pack the Shipping Carton	44
Appendix: Electromagnetic Guidance	45
Appendix: Symbols	49

Intended Use

VIDAR's x-ray film digitizers are intended for making digital copies of medical x-ray films.

Note:

- *The DiagnosticPRO Advantage with ClinicalExpress or other DICOM standard software meet or exceed ACR and DICOM standards for use of secondary capture images for consultation, review and final interpretation. Images captured as DICOM MG are to be used as reference or comparison only, and not for primary diagnosis.*
- *Mammography images captured as DICOM MG are to be used as reference or comparison only, and not for primary diagnosis.*
- *The target users of these devices are medical professionals or trained staff for use as secondary capture images for consultation, review and final interpretation.*

Notice to Users

In the event of any serious incident occurring in relation to the device please report to the manufacturer and the competent authority of the Member State in which the user and/or patient is established.

Operating

the DiagnosticPRO® Advantage and DosimetryPRO® Advantage (Red)

About Digitizers and Film Sizes

This section describes important differences between the DiagnosticPRO® Advantage and DosimetryPRO® Advantage.

DiagnosticPRO® Advantage specifications

Nominal resolution	Pixels (14"x17" film)	Spot size (µm)	DPI	Line pairs per mm
1k x 1.25k	1008 x 1124	340	75	1
2k x 2.5k*	2002 x 2431	170	150	3
4k x 5k	3990 x 4845	85	300	6

Mammography film: 18cm x 24cm

4k x 5k	4104 x 5472	44	570	11
---------	-------------	----	-----	----

*ACR Standard for Teleradiology Guidelines [Revision 35 (1998)] recommends 2.5 lines pairs/mm minimum

Scan modes 32-bit mapped to 12-bit and 8-bit grayscale outputs

Film sizes Manual Feed:

Width: 6" to 14" (15.24cm to 35.56cm)

Length**: 7" to 51"† (17.78cm to 129.54cm)

Thickness: 0.005" to 0.009" (0.127mm to 0.228mm)

†Films longer than 17" require user support during feeding, and a scanning application that handles long films

**A max. length of 51" can be accommodated in single film mode only with a maximum resolution of 300 DPI

Auto film feeder Standard 25-film capacity (mixed sizes, no presorting)
 "Light box" loading: head-up, normal reading, left justified
 Width: 7" to 14" (17.78cm x 35.56cm)
 Length: 7" to 17" (17.78cm x 43.18cm)
 Thickness: 0.005" to 0.009" (0.127mm to 0.228mm)

DosimetryPRO® Advantage specifications

Nominal resolution	Pixels (14"x17" film)	Spot size (µm)	DPI	Line pairs per mm
1k x 1.25k	997 x 1211	356	71.25	1.4
2k x 2.5k*	1995 x 2422	178	142.5	2.8
4k x 5k	3990 x 4845	89	285	5.6

*ACR Standard for Teleradiology [Revision 35 (1998)] recommends 2.5 lines pairs/mm minimum

Scan modes 32-bit mapped to 12-bit and 8-bit grayscale outputs

Film sizes

Manual Feed:

Width: 6" to 14" (15.24cm to 35.56cm)

Length: 7" to 51"† (17.78cm to 129.54cm)

Thickness: 0.005" to 0.009" (0.127mm to 0.228mm)

†Films longer than 17" require user support during feeding, and a scanning application that handles long films

Auto film feeder Standard 25-film capacity (mixed sizes, no presorting)
"Light box" loading: head-up, normal reading, left justified
Width: 7" to 14" (17.78cm x 35.56cm)
Length: 7" to 17" (17.78cm x 43.18cm)
Thickness: 0.005" to 0.009" (0.127mm to 0.228mm)

Note: ISP 14" x 17" is cut true to size and is therefore slightly larger than standard 14" x 17" film (which is actually measured in metric and therefore slightly smaller). This results in a very tight fit between the digitizer's film guides. In most cases, the films can be manually loaded and may need to be assisted through the device. In the worst case, the film may need to be slightly trimmed before feeding. Films will not be properly fed using the automated film feeder.

About Films

The film digitizer handles standard radiograph films up to 14" x 17" (35.56cm x 43.18cm).

You can feed multiple films (up to 25), and you can mix film sizes ranging from 8" x 10" (20.32cm x 25.4cm) to 14" x 17" (35.56cm x 43.18cm) in one stack—as long as you follow the rules below.

IMPORTANT: Remove stickers, tape, staples, paper clips, etc. from films before scanning. These may cause serious film feeding problems and may damage the digitizer's internal mechanisms. **Failure to remove extraneous items from films will void your warranty.**

Load films just as you would view them on a light box, with these qualifications:

- Films less than 8" wide will not be detected by the digitizer's film sensor, and therefore will not be staged or digitized.

CAUTION: Paper, paper films and films smaller than 8" x 8" can fall into the internal optics box and cause damage not covered by your warranty.

- Do not load films more than 17" (43.18cm) long in the auto feeder. (See "Digitizing a single film," later in this chapter, when loading films longer than 17".)

Basic Operating Instructions

1. Turn on the film digitizer and wait for all three LEDs to turn green.

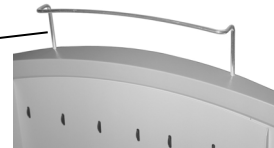
Note: Always turn on the film digitizer before turning on the computer. This enables the computer to recognize the digitizer.

Note: Several minutes are required for the digitizer to carry out its internal diagnostics and establish communications with the scanning application. These activities must be completed before you can load film into the digitizer.

2. Turn on the computer.
3. Launch the scanning application.

IMPORTANT: Remove stickers, tape, staples, paper clips, etc. from films before scanning. These may cause serious film feeding problems. Failure to remove extraneous items from films will void your warranty.

4. If you will be digitizing films 17" (43.18cm) or longer, raise the film support bar.



5. Load the film.

How you load the film depends on whether you are digitizing one film or multiple films. See the next pages for details.

CAUTION: X-ray images displayed on a computer monitor are representative only. A variety of factors influence image density and size—including monitor luminance and calibration, window and level settings, zoom level, and dimensional and grayscale inaccuracies resulting from build-up of tolerances in the digitizer, display board and computer. For this reason, special precautions must be exercised (e.g. calibrating the software ruler and computer monitor) when taking measurements from digitized images. Please refer to the user's manual for your digitizing software for more information.

Digitizing a Single Film

Options for digitizing single films

There are two ways to scan a single film:

- By manually inserting the film behind the blue bar (as described in this section), or
- By treating the single film as a batch of one (if the scanning application supports this approach); for instructions, see “Scanning multiple films” (next section in this manual).

The digitizer cannot feed films smaller than 6" wide x 7" long (15.24cm wide x 17.78cm long).

Do not scan paper.

1. Hold the film in front of you as you would view it on a light box.
2. Align the left edge of the film with the film guide on the left of the feeder.
3. Place the film into the slot **BEHIND the blue bar.**

The blue bar has a lip and a groove on the top edge of the digitizer where the feeder is attached. Place a single film directly behind the blue bar.



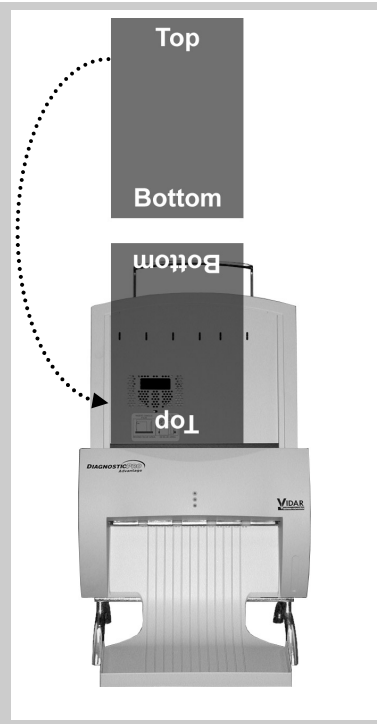
When the digitizer senses the film, it automatically stages the film in preparation for digitizing. The film will first move down, then up. This is normal operation.

CAUTION: If the film is not staged properly, do not manually pull the film out of the digitizer. Instead, use the scanning application's EJECT command to remove the film.

Note: When a film has been staged, it is in the digitizer's light path. The ADC (Automatic Digitizer Calibration) feature requires that the light path be clear of the film for proper background calibration of the digitizer. The digitizer will automatically adjust the film's position to properly proceed with ADC. Depending on the location of the film's leading or trailing edge, and the length of time the film has been blocking the light path, the film will be: a) pushed up, or b) pushed down.

4. Using your scanning software, execute the **Scan** command.

Note: Proper orientation of the film during loading depends on the scanning application program you are using. Some scanning programs rotate images 180° for display. If images appear upside down, you may be able to set the default orientation in the scanning application. If this option isn't available, then insert films into the digitizer upside down, as shown here.



Digitizing Multiple Films

CAUTION: Do not load more than 25 films at one time.

1. Hold the film stack in front of you as you would view it on a light box.

Films at the back of the stack are digitized first.

Note: The digitizer cannot feed films smaller than 7" wide x 7" long (17.78cm wide x 17.78cm long). When loading small films, the vertical dimension must be at least 7" (17.78cm).

Do not scan paper.



2. Align the left edge of the film stack with the film guide on the left edge of the feeder.
3. Place the film stack **IN the groove in the blue bar**.

The blue bar has a lip and a groove on the top edge of the digitizer where the feeder is attached. Place a single film directly behind the blue bar.

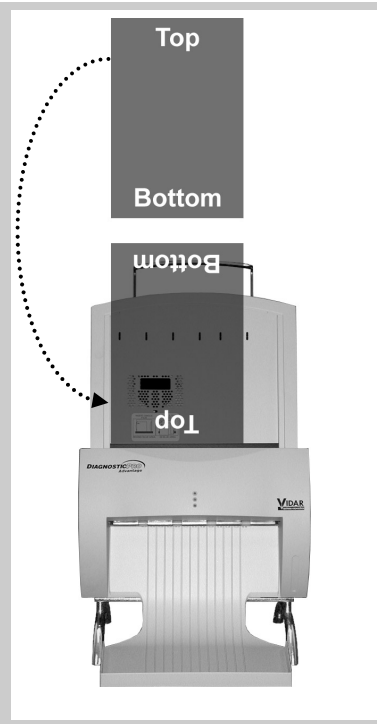
Note: If you are digitizing a single film, place the film **BEHIND the blue bar**.

Note: When a film has been staged, it is in the digitizer's light path. The ADC (Automatic Digitizer Calibration) feature requires that the light path be clear of the film for proper background calibration of the digitizer. The digitizer will automatically adjust the film's position to properly proceed with ADC. Depending on the location of the film's leading or trailing edge, and the length of time the film has been blocking the light path, the film will be: a) pushed up, or b) pushed down.

4. Using your scanning software, execute the **Scan** command.

Note: During extended batch scans (more than 5 films), the digitizer may pause periodically to recalibrate. This is normal operation.

Note: Proper orientation of the film during loading depends on the scanning application program you are using. Some scanning programs rotate images 180° for display. If images appear upside down, you may be able to set the default orientation in the scanning application. If this option isn't available, then insert films into the digitizer upside down, as shown here.



Standard CADPRO Feeder Film Sizes and Scanning Specifications

18cm long x 24cm wide mammography film (Landscape orientation)

Pixels	Spot size (μm)	DPI	Line pairs per mm
4032 x 5376	44	570	11

30cm long x 24cm wide mammography film (Portrait orientation)

Pixels	Spot size (μm)	DPI	Line pairs per mm
6720 x 5376	44	570	11

Scan modes	32-bit mapped to 16-bit and 12-bit grayscale outputs
Film sizes	Fixed width: 24cm Length: 18cm or 30cm Thickness: 0.005" to 0.009" (0.127mm to 0.228mm)
Auto film feeder	50 capacity (mixed sizes)

CADPRO Smartfeeder XL Film Sizes and Scanning Specifications

Narrow position (Analog Mammography films)

18cm long x 24cm wide mammography film (Landscape orientation) Narrow position

Pixels	Spot size (μm)	DPI	Line pairs per mm
4032 x 5376	44	570	11

30cm long x 24cm wide mammography film (Portrait orientation) Narrow position

Pixels	Spot size (μm)	DPI	Line pairs per mm
6720 x 5376	44	570	11

Scan modes	32-bit mapped to 16-bit and 12-bit grayscale outputs		
Film sizes	Width:	24cm	
	Length:	18cm or 30cm	
	Thickness:	0.005" to 0.009" (0.127mm to 0.228mm)	
Auto film feeder	50 capacity (mixed sizes)		

Wide position (Printed Mammography films)

10in long x 8in wide printed mammography film (Landscape orientation) Wide position

Pixels	Spot size (μm)	DPI	Line pairs per mm
5690 x 4574	44	570	11

12in long x 10in wide printed mammography film (Portrait orientation) Wide position

Pixels	Spot size (μm)	DPI	Line pairs per mm
6832 x 5690	44	570	11

Scan modes	32-bit mapped to 16-bit and 12-bit grayscale outputs		
Film sizes	Width:	10in	
	Length:	8in or 10in	
	Thickness:	0.005" to 0.009" (0.127mm to 0.228mm)	
Auto film feeder	50 capacity (mixed sizes)		

About Films

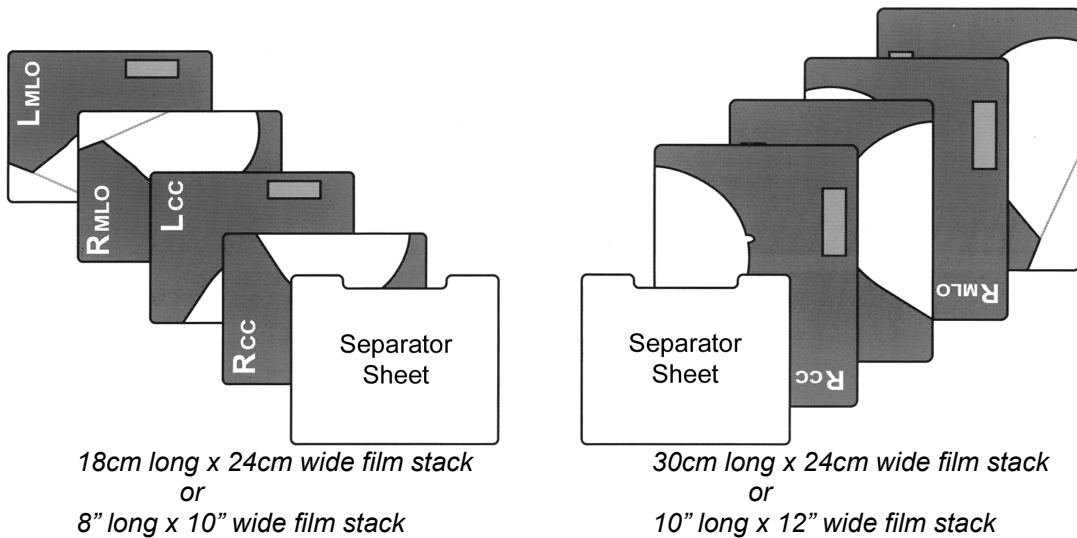
The film digitizer handles standard 18cm x 24cm and 24cm x 30cm mammography films.

You can feed multiple films (up to 50), and you can mix film sizes.

IMPORTANT: Remove stickers, tape, staples, paper clips, etc. from films before scanning. These may cause serious film feeding problems and may damage the digitizer's internal mechanisms. **Failure to remove extraneous items from films will void your warranty.**

To prepare films for digitizing:

- Stack each group of films according to the sequence specified by the CAD system manufacturer. A typical sequence is shown below.
- Place a separator in each group (not provided by VIDAR). Use separators approved by the CAD system manufacturer.



Operating Instructions

1. Turn on the film digitizer and wait for all three LEDs to turn green.

Note: Always turn on the film digitizer before turning on the computer. This enables the computer to recognize the digitizer.

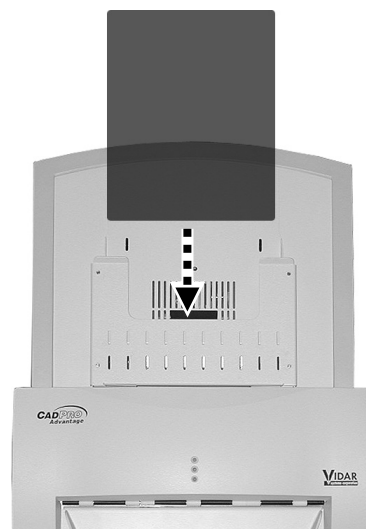
Note: Several minutes are required for the digitizer to carry out its internal diagnostics and establish communications with the scanning application. These activities must be completed before you can load film into the digitizer.

2. Turn on the computer.
3. Launch the scanning application.

IMPORTANT: Remove stickers, tape, staples, paper clips, etc. from films before scanning. These may cause serious film feeding problems. **Failure to remove extraneous items from films will void your warranty.**

CAUTION: X-ray images displayed on a computer monitor are representative only. A variety of factors influence image density and size—including monitor luminance and calibration, window and level settings, zoom level, and dimensional and grayscale inaccuracies resulting from build-up of tolerances in the digitizer, display board and computer. For this reason, special precautions must be exercised (e.g., calibrating the software ruler and computer monitor) when taking measurements from digitized images. Please refer to the user's manual for your digitizing software for more information.

4. Hold the stack in front of you as you would view it on a light box.
5. Slide the stack into the feeder, between the guides. **Do not overfill the feeder:**
 - The 50 sheet feeder can hold up to 50 sheets at a time.



6. Using your scanning software, execute the **Scan** command.
7. Monitor the exit tray, and remove films periodically to prevent it from overflowing. The exit tray can hold up to 100 films. If it becomes overfilled, films may be damaged or jam in the digitizer.

IMPORTANT: See detailed film loading examples on the next page for the SmartFeeder XL CADPRO Digitizer

Operating Instructions SmartFeeder XL

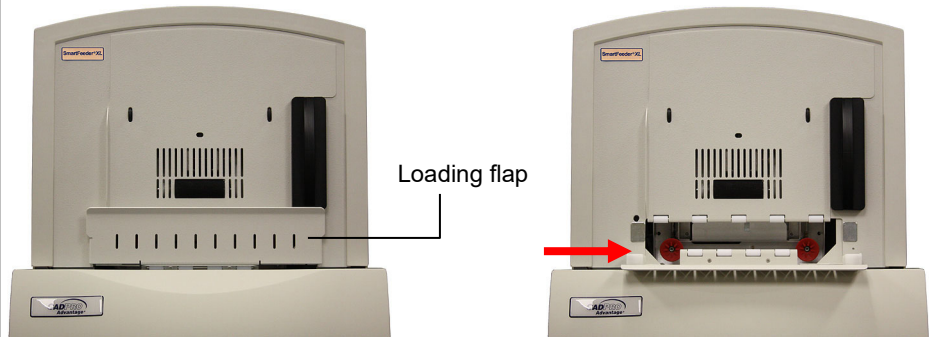
1. If at least one film is loaded in the feeder, go to step 6.

otherwise

If no films are loaded, go to step 2 to load first film.

2. Open loading flap.

NOTE: Do not open the flap while digitizing films. This will cause the digitizer to pause and could interrupt the digitizing process.

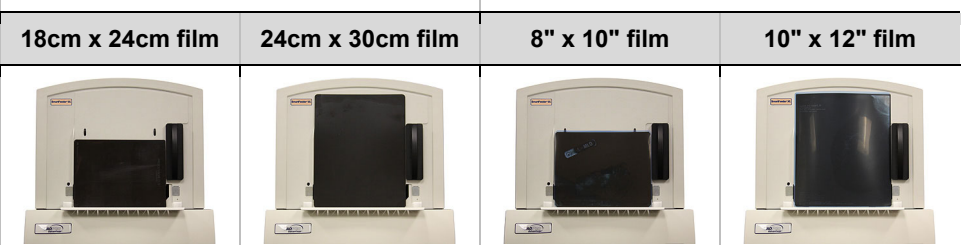


3. Set sliding film guide to proper width:

- Slide to **left** for standard mammography films.
- Slide to **right** for printed films.



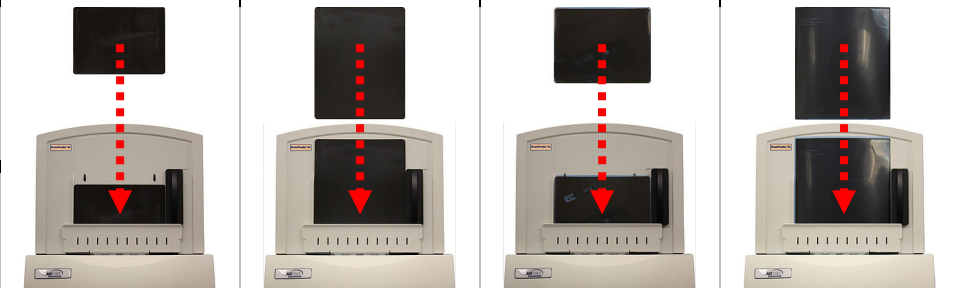
4. Rest film on loading flap with left edge against guide.



5. Close loading flap.



6. Load additional films in front of the films already loaded.



7. You are ready to digitize.

Preventive Maintenance

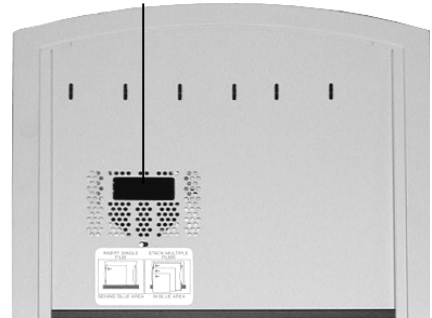
Cleaning the Auto-Feed Roller

DiagnosticPRO® Advantage and DosimetryPRO® Advantage ONLY

After extensive use, dust or lint particles may build up on the Auto-Feed Roller. VIDAR recommends cleaning the roller at least twice per year.

Loop a piece of light adhesive tape (such as Scotch® Magic™ Tape) around your fingers with the adhesive side out, then gently pat the roller. Pat and turn the roller until its entire surface is clean.

Auto-Feed Roller



CAUTION:

- **Do not** use any type of cleaning solvent on the feed roller and idler wheels, as this could damage these components and cause improper operation.
- **Do not** use tape with a strong adhesive, such as packing tape or strapping tape.
- **Do not** use tape requiring the adhesive to be wetted, such as brown paper packing tape.

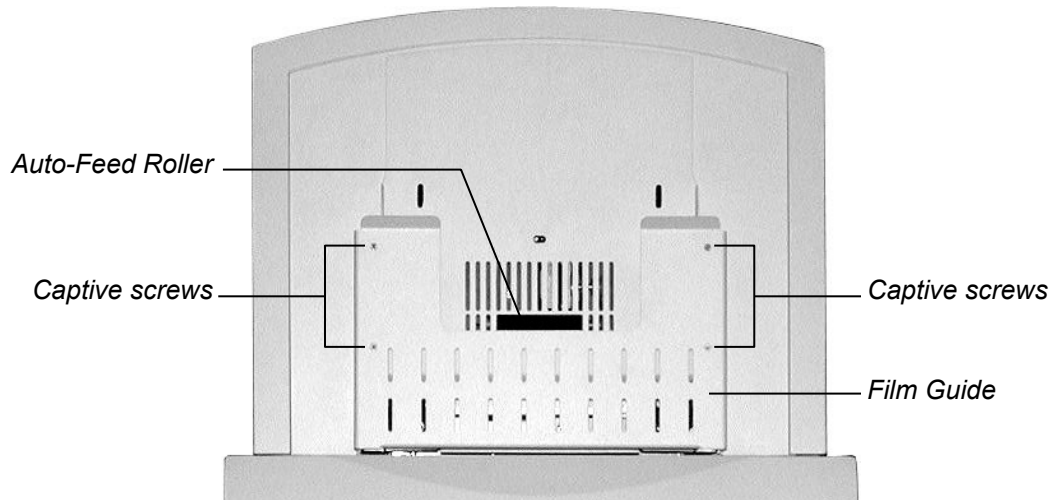
Cleaning the Auto-Feed Roller and Suction Cups

CAD PRO *Advantage* ONLY

After extensive use, dust or lint particles may build up on the Auto-Feed Roller and Suction Cups, and they must be cleaned to maintain reliable film feeding. VIDAR recommends cleaning the Auto-Feed Roller and Suction Cups at least twice per year. During cleaning, inspect the Suction Cups for wear.

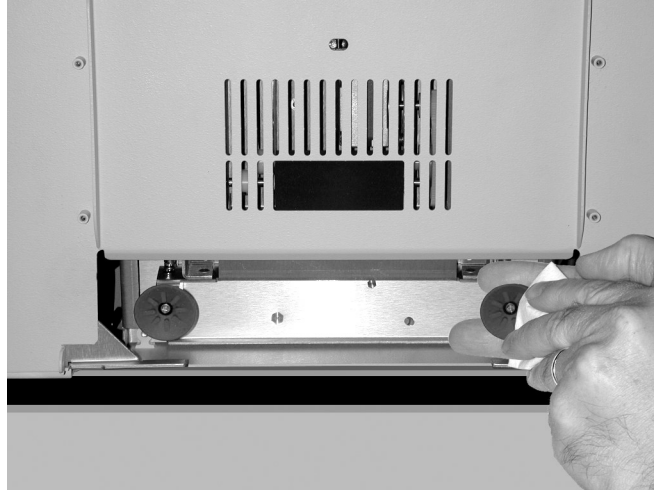
1. Turn off the digitizer using the switch on the rear panel.
2. Remove the Film Guide from the feeder by loosening four screws. Loosen each screw a few turns, then move to the next screw. Repeat until the Film Guide is freed from the feeder.

Note: The screws are captive, but will come entirely out if unscrewed too far, and could then fall into the digitizer base. Be careful not to unscrew them from their captive locations. Removal of screws or other items from the inside of the digitizer is not covered under your warranty.



3. Remove residue from the Auto-Feed Roller: Loop a piece of light adhesive tape (such as Scotch® Magic™ Tape) around your fingers with the adhesive side out, then gently pat the roller. Pat and turn the roller until its entire surface is clean.
4. Gently pull the Suction Cups forward.
5. Examine the Suction Cups. If you see cracks or irregularities, you should replace the Suction Cups to prevent film feeding problems. Replacement Suction Cups (p/n 16272-00X) can be ordered from VIDAR.

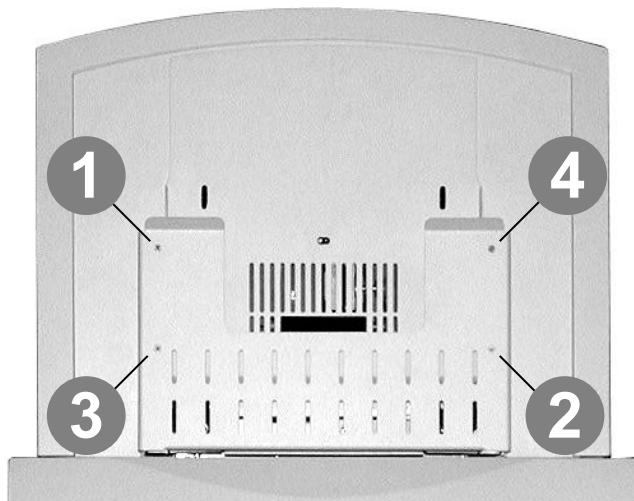
6. Clean the Suction Cups using an isopropyl wipe (VIDAR part number 4100).



CAUTION:

- **Do not** use any type of cleaning solvent on the feed roller, as this could damage it and cause improper operation.
- **Do not** use tape with a strong adhesive, such as packing tape or strapping tape.
- **Do not** use tape requiring the adhesive to be wetted, such as brown paper packing tape.

7. Gently push the Suction Cups back in.
8. Secure the faceplate to the feeder with the four captive screws. **Tighten the screws a little at a time, in the order shown here:**

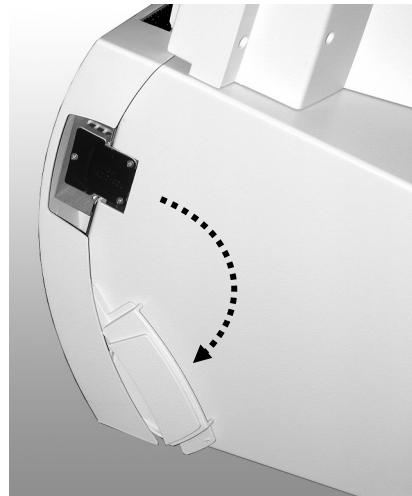


Cleaning the Diffuser

All Advantage Models

If you notice streaks (vertical artifacts) in images, you should clean the diffuser.

1. Turn off the digitizer. **Allow 10 to 15 minutes for the bulb cartridge to cool to a comfortable temperature before removing it.**
2. Open the door on the side of the digitizer base:
3. Remove the lamp Cartridge Clamp using a #2 Philips screwdriver. (May not be applicable in all models)



Note: The door has a “door open” sensor. When the door is open, all processes—including calibration and scanning—will stop.

4. Grasp the top and bottom of the lamp cartridge, then pull it out.



CAUTION: Do not touch the diffuser material with your fingers.

5. Place the lamp cartridge on a flat surface with the diffuser facing up.
6. Clean the diffuser using a lint-free wipe (VIDAR P/N: 15194 or P/N: 4247). **Wipe in one direction only. Don't wipe back and forth.**

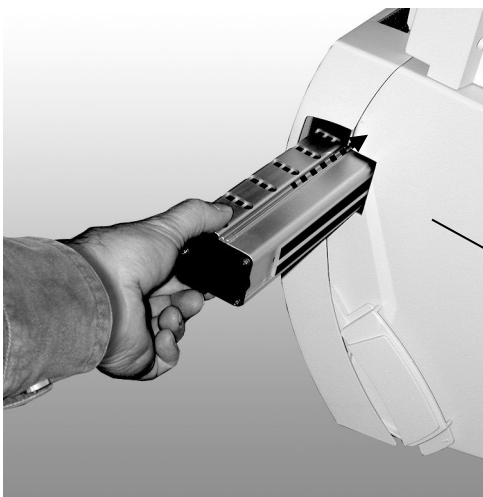
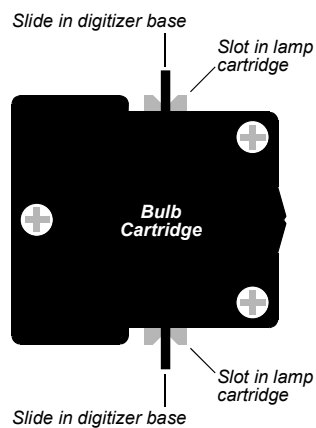
CAUTION: The lamp cartridge assembly will resemble one of the images shown here.



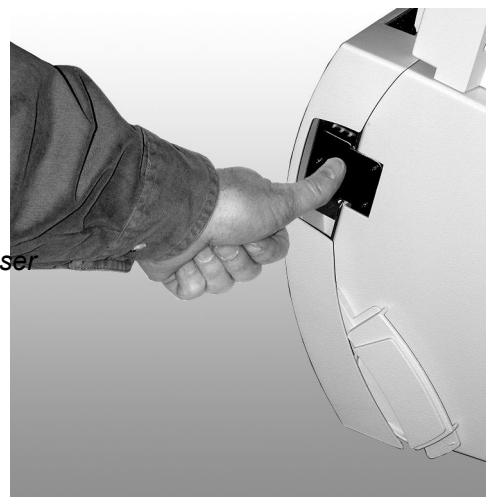
IMPORTANT: DO NOT USE ALCOHOL or other SOLVENTS as they may degrade the diffuser and void your warranty.

7. Insert the lamp cartridge into the digitizer base:

- The diffuser must face the rear of the digitizer base.
- The end of the lamp cartridge with the white connector goes in first.
- Ensure the slots along the top and bottom of the cartridge align with the slides in the digitizer (see illustration at right).
- When the cartridge is nearly all the way in, push it firmly until you feel the connector snap into place.

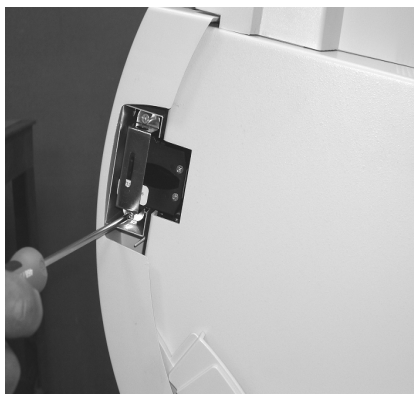


Slide cartridge in...

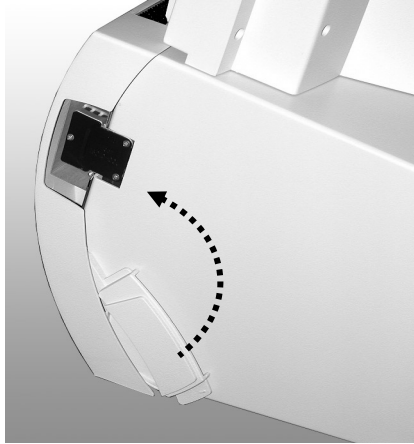


then push to seat connector

8. Re-install the lamp cartridge clamp assembly if removed earlier.



9. Close the door on the side of the digitizer base. Be sure the door closes fully.



10. Turn on the digitizer. The digitizer will recalibrate to the cleaned diffuser.

Replacing the Lamp Cartridge

All Advantage Models

WARNING: The lamp cartridge assembly is specific to each Advantage Model. Ensure you have the correct replacement lamp Cartridge before installing the new lamp.

Contact VIDAR Technical Support if you have any questions about installing or using your VIDAR film digitizer:

Phone: +1.800.471.SCAN (+1.800.471.7226)

+1.703.471.7070 outside the U.S.

E-mail: medtech@3dsystems.com

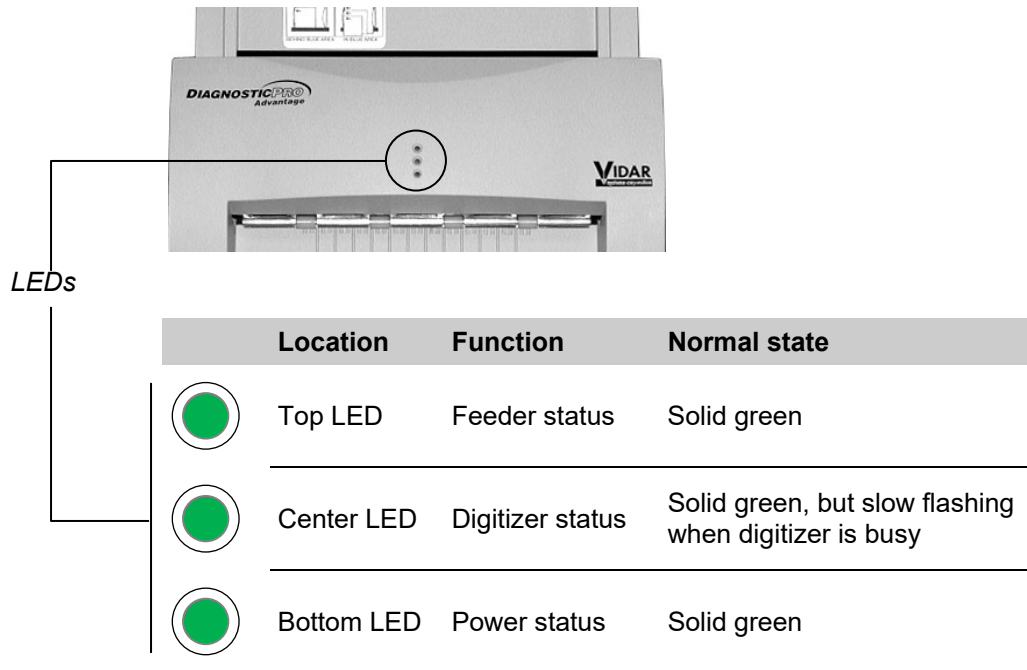
Follow the instructions in “Cleaning the Diffuser,” earlier in this chapter, but work with the new lamp cartridge in steps 5 through 10.

Preventive maintenance is not covered under warranty. (Only failures during the published warranty period are covered by warranty replacement. Failures must be confirmed by running VIDAR’s Digitizer Diagnostic Tool. The software generates a report showing light values indicative of lamp performance. You can request a copy of the Digitizer Diagnostic program from VIDAR Technical Support.)

Troubleshooting

Reading the LEDs

Three LEDs on the front of the digitizer provide operating information.



Tables on the next three pages explain all LED states.

Top LED: feeder status

LED state	Digitizer condition	Corrective action
Solid green	Ready	None. The feeder is ready to operate.
Off	ERROR: no feeder attached	<ol style="list-style-type: none">1. Turn off digitizer.2. Remove feeder.3. Inspect electrical connector and screws on bottom of feeder.
Fast flashing green	ERROR: unknown feeder attached	Check feeder: <ol style="list-style-type: none">1. Turn off digitizer.2. Remove feeder.3. Inspect electrical connector and screws on bottom of feeder.
Slow flashing green	BUSY: film is staging	None. This is normal operation.
Fast flashing green	ERROR: film staging problem	Eject film by clicking the eject button in the scanning application.

Center LED: Digitizer Status

LED state	Digitizer condition	Corrective action
Solid green	Ready	None. The digitizer is ready to accept commands from the scanning application.
Slow flashing green	BUSY: normalizing	None. This is normal operation. The LED will flash slowly during initial calibration after power is applied, and when the scanning application initiates a calibration.
Slow flashing green	BUSY: tracking (ADC)	None. This is normal operation. The LED will flash periodically when the digitizer is idle. Automatic Digitizer Calibration (ADC) is independent of the scanning application.
Slow flashing green	BUSY: staging film	None. This is normal operation. The LED will flash slowly while the digitizer is staging the film.
Slow flashing green	BUSY: Positioning film	None. This is normal operation. The LED will flash slowly while the scanning application is positioning the film.
Slow flashing green	BUSY: digitizing film	None. This is normal operation. The LED will flash slowly while a film is being digitized.
Slow flashing green	BUSY: ejecting film	None. This is normal operation. The LED will flash slowly while the scanning application is ejecting the film.
Off	ERROR	<ol style="list-style-type: none">1. Make certain power is supplied to the digitizer, and that the digitizer power switch is on.2. If problem persists, get qualified technical help (see "In case of difficulty," later in this chapter).

Bottom LED: Power Status

LED state	Digitizer condition	Corrective action
Solid green	Ready	None.
Fast flashing green	ERROR: DSP not communicating	Get qualified technical help (see “In case of difficulty,” later in this chapter).
Fast flashing green	ERROR: unknown ballast	Get qualified technical help (see “In case of difficulty,” later in this chapter).
Off	ERROR	<ol style="list-style-type: none"> 1. Make certain power is supplied to the digitizer, and that the digitizer power switch is on. 2. If problem persists, get qualified technical help (see “In case of difficulty,” later in this chapter).

In Case of Difficulty

How to use this section:

1. Look through the left columns to find a description of the problem you are having.
2. Follow the instructions (in order) in the “Corrective action” column. If the one corrective action doesn’t solve the problem, then carry out the next corrective action.
3. When the instruction is “Get qualified technical help,” then:
 - a. Contact your system integration specialist (the company or person that installed your VIDAR film digitizer).
 - b. If your system integration specialist isn’t available, then contact VIDAR Customer Support (medtech@3dsystems.com). Please record system information and digitizer serial number before calling, and have it available when calling.

Tip: Check www.filmdigitizer.com for current troubleshooting information, tools and software updates.

Symptom	Corrective action
Can’t turn digitizer on or off. Can’t find power switch.	The on/off switch is located on the rear of the digitizer body. Look at the digitizer from the rear to see the switch.
Streaks in image	Clean lamp diffuser (see “Cleaning the diffuser” in the “Cleaning and maintaining” chapter, earlier in this manual).
Bottom LED (power status) is off.	<p>Ensure wall outlet is providing AC power: obtain another electrical device known to be working, and plug it into that AC wall outlet.</p> <ul style="list-style-type: none"> ■ If other device doesn’t work, AC power is not available at that wall outlet. Get help from building services. ■ If other device does work, AC power is available from that outlet.

Symptom	Corrective action
Film starts and stops during scanning.	<ol style="list-style-type: none"> 1. Increase memory allocation for scanning software. (Especially if scanning at high resolutions, memory allocation must be sufficient to accept data stream from digitizer.) 2. If scanning to disk, ensure sufficient space is available on disk drive. 3. Ensure PC has enough memory available to support scanning application. Close applications not needed for image acquisition from digitizer. 4. If problem persists, get qualified technical help.
Digitizer stops scanning and PC locks up.	<ol style="list-style-type: none"> 1. Reset entire system: <ol style="list-style-type: none"> a. Turn digitizer off. b. Shut down PC. c. Turn digitizer on. d. After digitizer all three digitizer LEDs turn solid green, turn on PC. 2. Launch scanning software on PC, then try scanning again. If problem persists, get qualified technical help. 3. Check for correct device driver installation.
Digitizer was working properly, but after installing (or reinstalling) the scanning application there are Toolkit errors or the digitizer is not detected.	<ol style="list-style-type: none"> 1. If you installed a new scanning application, or if you reinstalled the existing application, the older Toolkit (<i>vscsi32.dll</i>) may have been installed. Run the VIDAR Drivers and Toolkit Installation CD (see appropriate section in the "Installing device drivers" chapter). 2. If problem persists, contact medtech@3dsystems.com.
Digitizer is not detected.	<ol style="list-style-type: none"> 1. Check all cables and connectors. 2. Reset entire system: <ol style="list-style-type: none"> a. Turn digitizer off. b. Shut down PC. c. Turn digitizer on. d. After digitizer all three digitizer LEDs turn solid green, turn on PC.
Auto Feeder does not reliably feed films.	<ol style="list-style-type: none"> 1. Clean the lift roller on the Feeder. 2. CAD PRO only: Clean the Suction Cups inside the feeder (see "Cleaning the Auto-Feed Roller and Suction Cups" in the "Preventive maintenance" chapter). Be sure Suction Cups are not loose.

Note: The use of portable or mobile communications equipment and/or the presence of strong electromagnetic and/or x-ray fields may interfere with proper operation of this product. This product should not be used adjacent to or stacked with other equipment. If adjacent or stacked use is necessary, verify normal operation in the configuration in which it will be used. Should such interference occur, the user is required to provide adequate isolation between the digitizer and the source of the interference. Isolation is typically achieved by moving the digitizer away from the source of the interference.

Weights and Dimensions

Shipping weight and dimensions

Shipping dimensions	24" wide x 29" deep x 24" high 610mm x 737mm x 610mm
Shipping weight	60-62 lbs. 27-28 kg.

Digitizer weight and dimensions: DiagnosticPRO® Advantage and DosimetryPRO® Advantage

Overall dimensions	19" wide x 23" deep x 29.25" high 483mm x 584mm x 743mm
Footprint	19" wide x 23" deep 483mm x 584mm
Weight	45 lbs. 21 kg.

Digitizer weight and dimensions: CAD PRO® Advantage

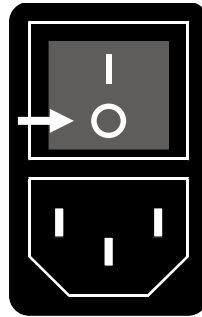
Overall dimensions	19" wide x 21.25" deep x 25.5" high 483mm x 540mm x 648mm
Footprint	19" wide x 21.25" deep 483mm x 540mm
Weight	47 lbs. 21 kg.

Packing the Film Digitizer for Shipment

IMPORTANT: When shipping the film digitizer, you **must** use the original packing materials, including wire ties, plastic bags, plastic wrap, foam supports and cartons. Improper packaging may allow damage to the digitizer, which will incur additional charges for repair.

1. Turn Off the Digitizer

Press “0” on the power switch.



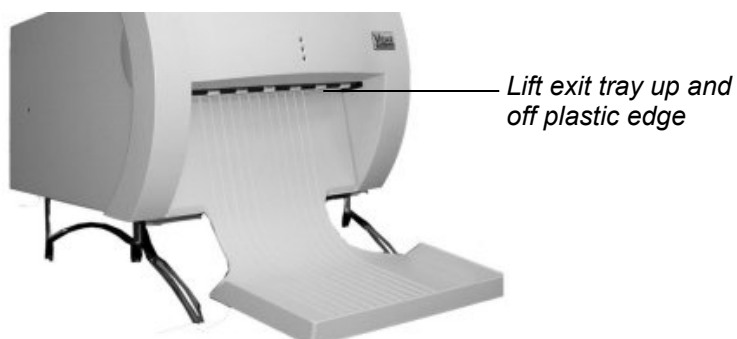
2. Disconnect the Power Cord and USB Cable

- Disconnect the power cord from the Power Entry Module on the rear of the digitizer.
- Disconnect the USB cable from the rear of the digitizer.

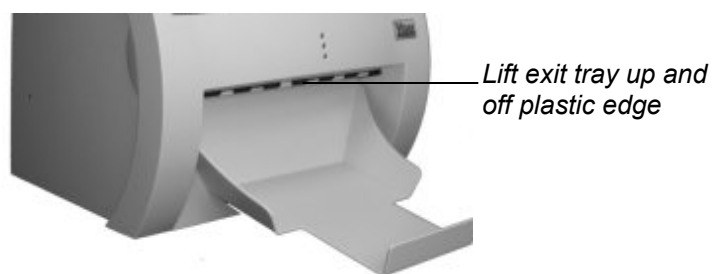


3. Remove the Exit Tray from the Digitizer Base

Lift the exit tray up to disengage it from the plastic edge just below the rollers, and then pull it gently toward you.



Removing DiagnosticPRO® Advantage and DosimetryPRO® Advantage exit tray



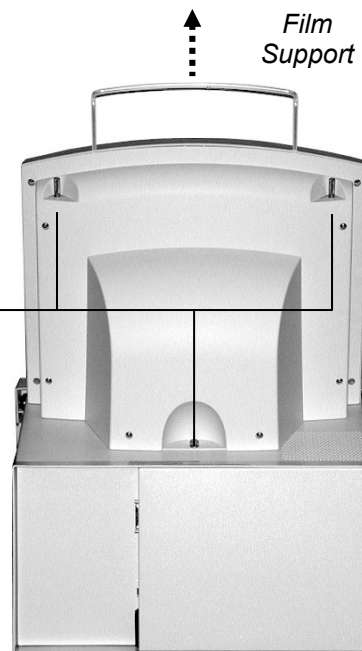
Removing CAD PRO® Advantage exit tray

4. Remove the Feeder from the Digitizer Base

- a. Remove the film support bar from the top of the feeder (DiagnosticPRO[®] Advantage and DosimetryPRO[®] Advantage ONLY).

Note: You must remove the film support before packing the feeder; otherwise the feeder will not fit into the foam support

Screws



- b. Loosen the three thumbscrews securing the feeder to the digitizer base.

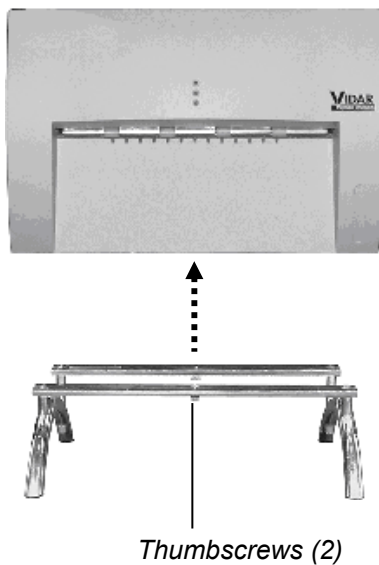
- c. Lift the feeder up and off the digitizer base.



5. Remove the Digitizer Base from the Stand

DiagnosticPRO® Advantage and DosimetryPRO® Advantage ONLY

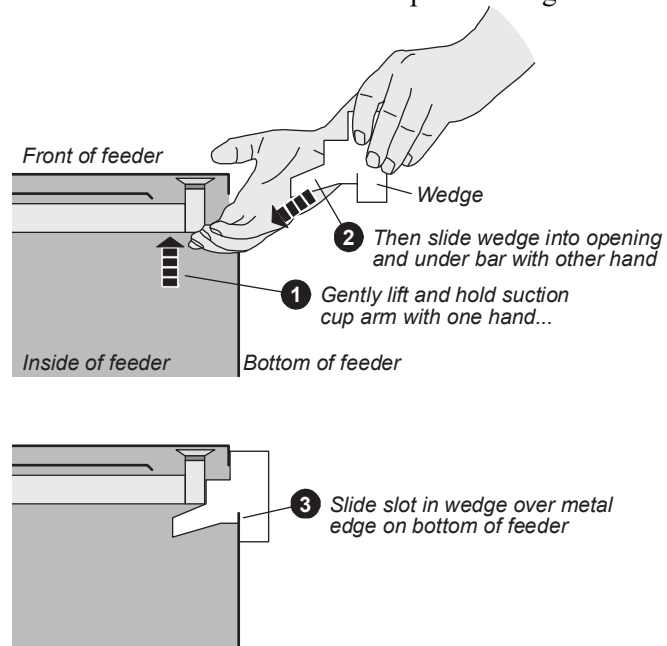
Loosen the thumbscrews on the bottom of the stand, then lift the digitizer base from the stand.



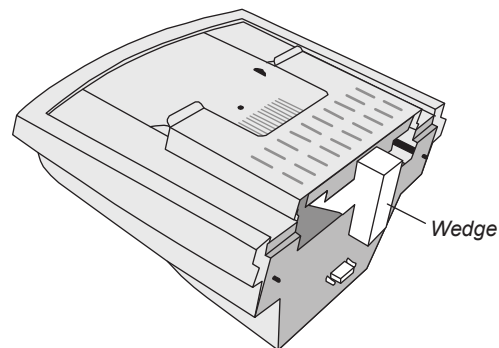
6. Prepare the Feeder

CAD PRO® Advantage ONLY

- a. Secure the film feeder Suction Cup Arm using the foam wedge as shown below.



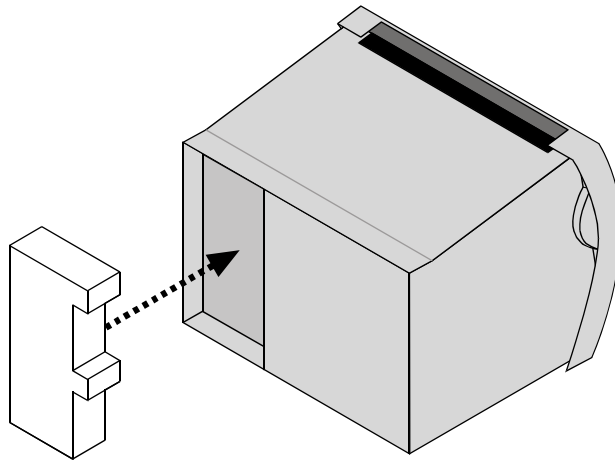
Feeder with wedge inserted should look like this:



- b. Place the film feeder in a plastic bag. Seal the bag with tape.

7. Wrap Certain Items

- a. Insert the foam block in the rear of the digitizer base.

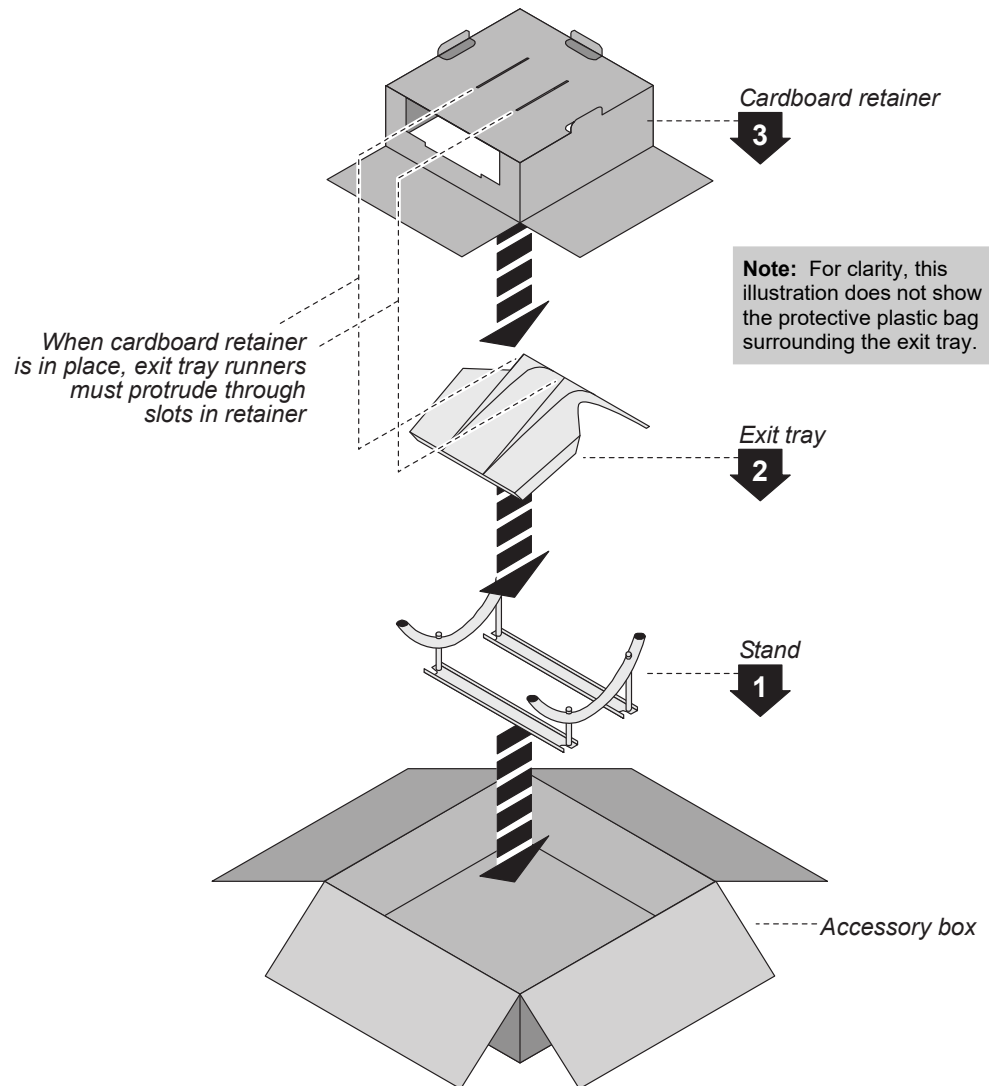


- b. Place the digitizer base in a plastic bag. Seal the bag with tape.
- c. Place the film feeder in a plastic bag. Seal the bag with tape.
- d. Place the exit tray in a plastic bag. Seal the bag with tape.
- e. Place the film support bar in a padded bag. Seal the bag with tape.

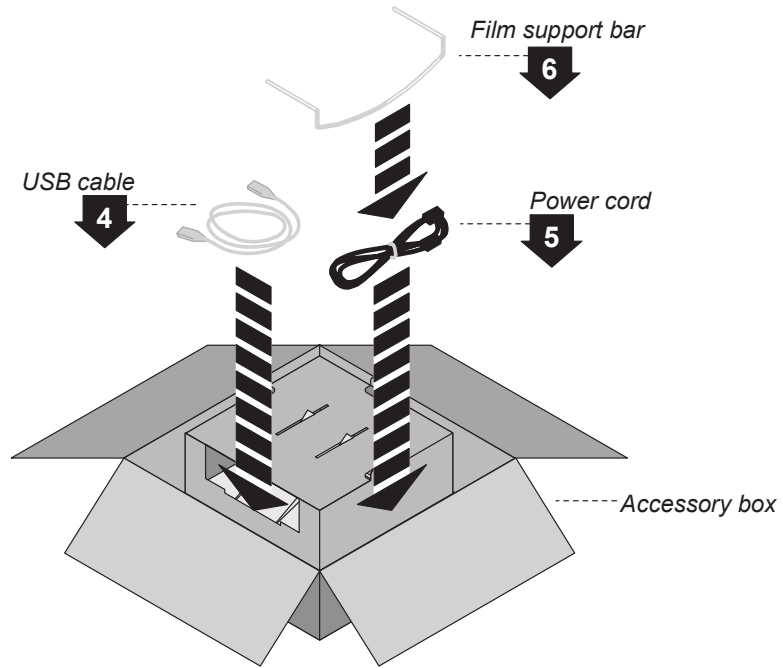
8. Pack the Accessory Box

DiagnosticPRO® Advantage and DosimetryPRO® Advantage ONLY

- a. Place these items in the accessory box in the order shown here. Orient the items as shown. When the cardboard retainer is in place, the two runners on the exit tray should protrude through the two slots in the retainer.



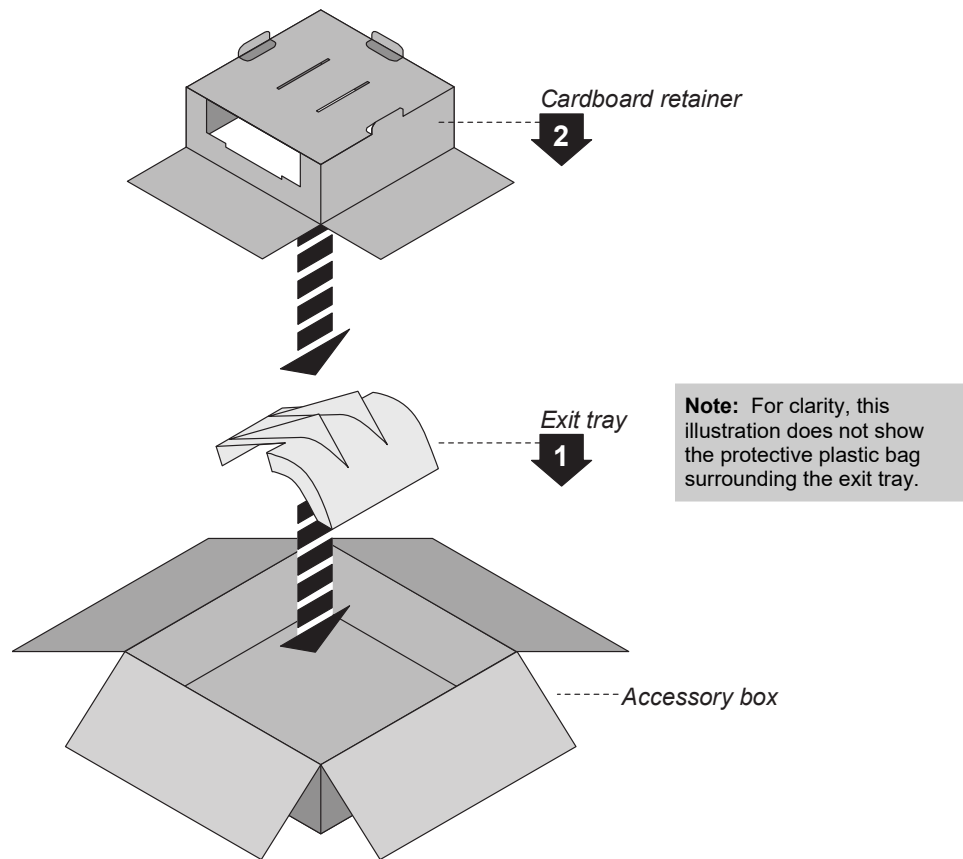
b. Place cables on the cardboard retainer:



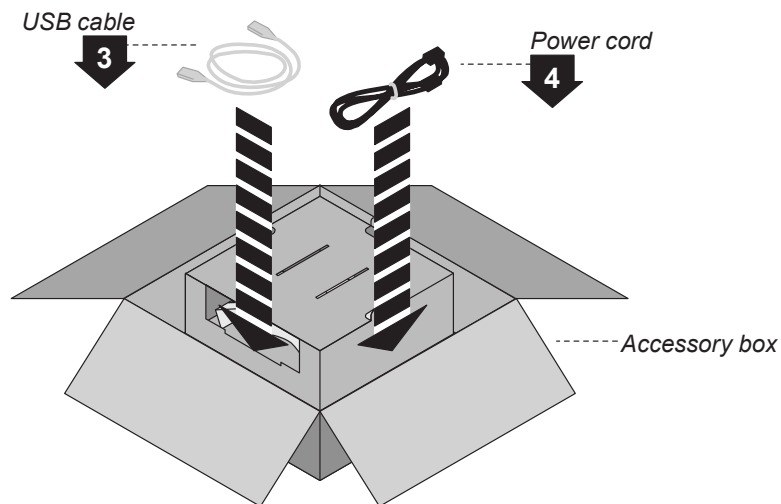
c. Close the accessory box and seal it with tape.

CAD PRO® Advantage ONLY

- a. Place these items in the accessory box in the order shown here. Orient the items as shown.



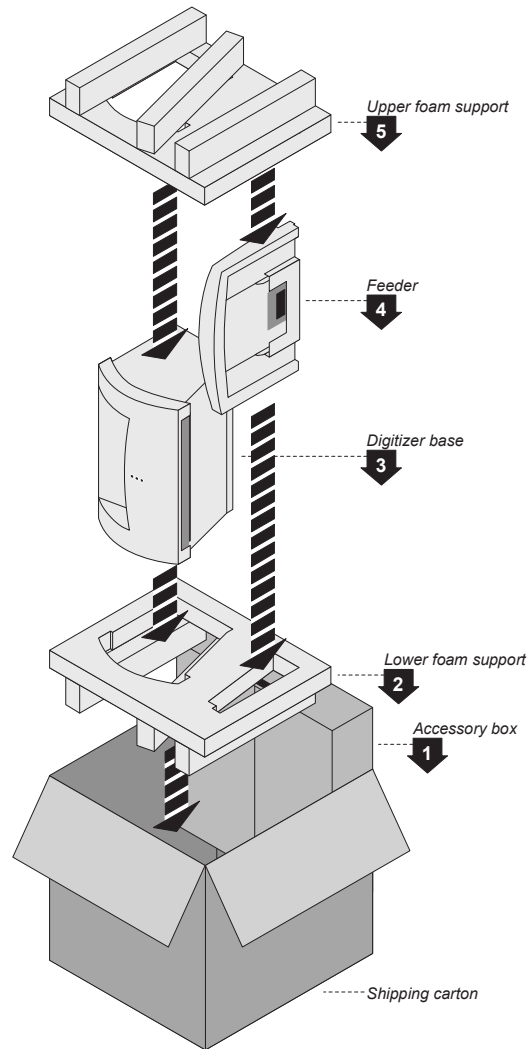
- b. Place cables on the cardboard retainer flap:



- c. Close the accessory box and seal it with tape.

9. Pack the Shipping Carton

- a. Place the items shown in the shipping carton, as shown here. Orient the items as shown.



Note: For clarity, this illustration does not show the plastic bags surrounding the digitizer and feeder.

- b. Close the shipping carton and seal it with tape.

Note: If you are shipping the digitizer to VIDAR for repair or any other reason:

1. Obtain a Returned Materials Authorization (RMA) number by sending an e-mail request to medtech@3dsystems.com. Include the digitizer's serial number and the reason for return.
2. Write the RMA number on the box or shipping label. If the shipment does not have an RMA, processing will be delayed when it reaches VIDAR.

Appendix:

Electromagnetic Guidance

<p>Caution: Medical electrical equipment. EMC (Electro Magnetic Compatibility) must be considered before any medical electrical equipment is installed or put into service. Follow the information in the accompanying documentation when installing and operating the VIDAR Digitizer.</p>
<p>Caution: Portable or mobile RF communication equipment can effect Medical Electrical equipment.</p>
<p>Caution: Using the Digitizer adjacent to or stacked with other equipment may cause interference between the equipment. Before utilizing stacked or adjacent equipment, verify proper functionality of all equipment in the actual configuration in which it will operate.</p>
<p>Caution: Connecting the Digitizer to equipment that is not rated CISPR 11 class A or class B may alter the electromagnetic characteristics.</p>
<p>Caution: In a domestic environment this product may cause radio interference in which case the user may be required to take adequate measures.</p>

Guidance and manufacturer's declaration – electromagnetic equipment

The DiagnosticPRO Advantage, DosimetryPRO Advantage (Red) and CAD PRO Advantage Digitizers are intended for use in a **professional healthcare facility environment**. The customer or end user of the Digitizer should assure that it is used in such an environment.

Emissions test	Compliance	Electromagnetic environment - guidance
RF Emissions	Group 1	The Digitizers use RF energy only for their internal functions. Therefore, its RF emissions are very low and are not likely to cause any interference in nearby electronic equipment.
CISPR11	Class A	The Digitizers are suitable for use in all establishments other than domestic and those directly connected to the public low voltage power supply network that supplies buildings used for domestic purposes.

Guidance And Manufacturer's Declaration – Electromagnetic Immunity Enclosure Port

The DiagnosticPRO Advantage, DosimetryPRO Advantage (Red) and CAD PRO Advantage Digitizers are intended for use in a **professional healthcare facility environment**. The customer or end user of the Digitizer should assure that it is used in such an environment.

Immunity test	Test method	Immunity Test Levels Professional healthcare facility environment
Electrostatic Discharge (ESD)	IEC 61000-4-2	± 8 kV contact ± 2 kV, ±4 kV, ± 8 kV, ± 15 kV air
Radiated RF EM fields	IEC 61000-4-3	3 V/m 80 MHz – 2,7 GHz 80% AM at 1 kHz
Proximity fields from RF wireless communications equipment	IEC 61000-4-3	See Table A
Rated power frequency magnetic fields	IEC 61000-4-8	30 A/m 50 or 60 Hz

Guidance And Manufacturer's Declaration – Electromagnetic Immunity - Input a.c. power

The DiagnosticPRO Advantage, DosimetryPRO Advantage (Red) and CAD PRO Advantage Digitizers are intended for use in a **professional healthcare facility environment**. The customer or end user of the Digitizer should assure that it is used in such an environment.

Immunity test	Test method	Immunity Test Levels Professional healthcare facility environment
Electrical fast transient / bursts ^{a) l) o)}	IEC 61000-4-4	± 2 kV 100 kHz repetition frequency
Surges ^{a) b) j) o)} Line-to-line	IEC 61000-4-5	± 0,5 kV, ± 1 kV
Surges ^{a) b) j) k) o)} Line-to-ground	IEC 61000-4-5	± 0,5 kV, ± 1 kV, ±2 kV
Conducted disturbances induced by RF fields ^{c) d) o)}	IEC 61000-4-6	3 V ^{m)} 0,15 MHz – 80 MHz 6 V ^{m)} in ISM bands between 0,15 MHz and 80 MHz ⁿ⁾ 80 % AM at 1 kHz ^{e)}
Voltage dips ^{f) p) r)}	IEC 61000-4-11	0 % U_T ; 0,5 cycle ^{g)} At 0°, 45°, 90°, 135°, 180°, 225°, 270°, and 315° ^{q)}
		0 % U_T ; 1 cycle and 70 % U_T ; 25/30 cycles ^{h)} Single phase: at 0°
Voltage interruptions ^{f) i) o) r)}	IEC 61000-4-11	0 % U_T ; 250/300 cycle ^{h)}

Note: U_T is the A.C. mains voltage prior to application of the test level.

Guidance And Manufacturer's Declaration – Electromagnetic Immunity - Input a.c. power Continued:

- a) The test may be performed at any one power input voltage within the ME Equipment or ME SYSTEM RATED voltage range. If the ME EQUIPMENT or ME SYSTEM is tested at one power input voltage, it is not necessary to re-test at additional voltages.
- b) All the ME EQUIPMENT and ME SYSTEM cables are attached during the test.
- c) Calibration for current injection clamps shall be performed in a 150 Ω system.
- d) If the frequency stepping skips over an ISM or amateur band, as applicable, an additional test frequency shall be used in the ISM or amateur radio band. This applies to each ISM and amateur radio band within the specified frequency range.
- e) Testing may be performed at other modulation frequencies identified by the RISK MANAGEMENT PROCESS.
- f) ME EQUIPMENT and ME SYSTEMS with a d.c. power input intended for use with a.c.- to – d.c. converters shall be tested using a converter that meets the specifications of the MANUFACTURER of the ME EQUIPMENT or ME SYSTEM. THE IMMUNITY TEST LEVELS are applied to the a.c. power input of the converter.
- g) Applicable only to ME EQUIPMENT and ME SYSTEMS connected to single-phase a.c. mains.
- h) E.g. 10/12 means 10 periods at 50 Hz or 12 periods at 60 Hz.
- i) ME EQUIPMENT and ME SYSTEMS with RATED input current greater than 16 A / phase shall be interrupted one for 250/300 cycles at any angle and at all phases at the same time (if applicable). ME EQUIPMENT and ME SYSTEMS with battery backup shall resume line power operation after the test. For ME EQUIPMENT and ME SYSTEMS with RATED input current not exceeding 16 A, all phases shall be interrupted simultaneously.
- j) ME EQUIPMENT and ME SYSTEMS that do not have a surge protection device in the primary power circuit may be tested only at ± 2 kV line(s) to earth and ± 1 kV line(s) to line(s).
- k) Not applicable to CLASS II ME EQUIPMENT and ME SYSTEMS.
- l) Direct coupling shall be used.
- m) r.m.s., before modulation is applied.
- n) The ISM (industrial, scientific and medical) bands between 0,15 MHz and 80 MHz are 6,765 MHz to 6,795 MHz; 13,553 MHz to 13,567 MHz; 26,957 MHz to 27,283 MHz; and 40,66 MHz to 40,70 MHz. The amateur radio bands between 0,15 MHz and 80 MHz are 1,8 to 2,0 MHz, 3,5 MHz to 4,0 MHz, 5,3 MHz to 5,4 MHz, 7 MHz to 7,3 MHz, 10,1 MHz to 10,15 MHz, 14 MHz to 14,2 MHz, 18,07 MHz to 18,17 MHz, 21,0 MHz to 21,4 MHz, 24,89 MHz to 24,99 MHz, 28,0 MHz to 29,7 MHz and 50,0 MHz to 54,0 MHz.
- o) Applicable to ME EQUIPMENT and ME SYSTEMS with RATED input current less than or equal to 16 A / phase and ME EQUIPMENT and ME SYSTEMS with RATED input current greater than 16 A / phase.
- p) Applicable to ME EQUIPMENT and ME SYSTEMS with RATED input current less than or equal to 16 A / phase.
- q) At some phase angles, applying this test to ME EQUIPMENT with transformer mains power input might cause an overcurrent protection device to open. This can occur due to magnetic flux saturation of the transformer core after the voltage dip. If this occurs, the ME EQUIPMENT or ME SYSTEM shall provide BASIC SAFETY during and after the test.
- r) For ME EQUIPMENT and ME SYSTEMS that have multiple voltage settings or auto ranging voltage capability, the test shall be performed at the minimum and maximum RATED input voltage. ME EQUIPMENT and ME SYSTEMS with a RATED input voltage range of less than 25 % of the highest RATED input voltage shall be tested at one RATED input voltage within the range.

Immunity to proximity fields form RF wireless communications equipment

The ENCLOSURE PORT of ME EQUIPMENT and ME SYSTEMS shall be tested as specified in Table A using the test methods specified in IEC 61000-4-3.

The frequencies and services listed in Table A are representative examples that are based on RF communications equipment in use at the time of publication of this collateral standard. The test specification does not attempt to cover every frequency and service used in every country. The RISK MANAGEMENT PROCESS should take current communications services into account. Testing should be performed at the additional frequencies identified that are not represented in Table A.

While communication might not be possible when ME EQUIPMENT that includes radio equipment is tested in its bandwidth, the ME EQUIPMENT or ME SYSTEM shall still be able to provide its BASIC SAFETY and ESSENTIAL PERFORMANCE.

Table A- Test specifications for Enclosure Port immunity to RF wireless communications equipment.

The DiagnosticPRO Advantage, DosimetryPRO Advantage (Red) and CAD PRO Advantage Digitizers are intended for use in a **professional healthcare facility environment**. The customer or the user of the Digitizer can help prevent electromagnetic interference by maintaining a minimum distance between portable and mobile RF communications equipment (transmitters) and the Digitizer as recommended below, according to the maximum output power of the communications equipment.

Test frequency (MHz)	Modulation ^{a)}	Maximum power (W)	Distance (m)	Immunity Test Level (V/m)
385	Pulse modulation 18 Hz	1,8	0,3	27
450	FM ^{b)} ±5 kHz deviation 1 kHz sine	2	0,3	28
710	Pulse modulation 217 Hz	0,2	0,3	9
745				
780				
810	Pulse modulation 18 Hz	2	0,3	28
870				
930				
1 720	Pulse modulation 217 Hz	2	0,3	28
1 845				
1 970				
2 450	Pulse modulation 217 Hz	2	0,3	28
5 240	Pulse modulation 217 Hz	0,2	0,3	9
5 500				
5 785				

NOTE: If necessary to achieve the Immunity Test Level, the distance between the transmitting antenna and the ME Equipment or ME System may be reduced to 1 m. The 1 m test distance is permitted by IEC 61000-4-3

- a) The carrier shall be modulated using a 50% duty cycle square wave signal.
- b) As an alternate to FM modulation, 50% pulse modulation at 18 Hz may be used because while it does not represent actual modulation, it would be worst case.

The Manufacturer should consider reducing the minimum separation distance, based on RISK MANAGEMENT, and using higher IMMUNITY TEST LEVELS that are appropriate for the reduced minimum separation distance. Minimum separation distances for higher IMMUNITY TEST LEVELS shall be calculated using the following equation:








$$E = \frac{6}{d} \sqrt{P}$$

Where P is the maximum power in W, d is the minimum separation distance in m, and E is the IMMUNITY TEST LEVEL in V/m.

If the ME EQUIPMENT or ME SYSTEM complies with the higher IMMUNITY TEST LEVELS for this test, the 30 cm minimum separation distance (per above table) may be replaced with minimum separation distances calculated from the higher IMMUNITY TEST LEVELS.

Appendix:

Symbols

Symbol	Description
	Indicates the need for the user to consult the instructions for use for important cautionary information such as warnings and precautions that cannot, for a variety of reasons, be presented on the medical device itself.
	Indicates the need for the user to consult the instructions for use.
	Underwriters Laboratories classification symbol
	Compliance to EU Directives
	Authorized Representative in the European Community
	Indicates the Medical Device Manufacturer
	This symbol on the product indicates that this product must not be disposed of as unsorted municipal waste. Instead it is your responsibility to dispose of your waste equipment by handing it over to a designated collection point for recycling of waste electrical and electronic equipment. For more information about where you can dispose of your waste equipment for recycling please contact your local city office, your household waste disposal service or the shop where you purchased the product.

VIDAR Systems Corporation

365 Herndon Parkway

Herndon, VA 20170

1.703.471.7070 (Phone)

1.703.471.7665 (Fax)

USA Toll Free: 800-471.SCAN

Support: medtech@3dsystems.com

www.vidar.com

